

PLEASE CHECK WWW.MOLEX.COM FOR LATEST PART INFORMATION

Part Number: [0473370200](#)
Status: **Active**
Description: Camera Socket for Mobile Phone, Top Mount, SMT, Side Contact Type, 8.5x8.5, LCP Housing, Lead free

Documents:

[3D Model](#) [RoHS Certificate of Compliance \(PDF\)](#)
[Drawing \(PDF\)](#)

General

Product Family	Other Sockets
Series	47337
Component Type	Socket
Product Name	Camera Socket

Physical

Circuits (Loaded)	24
Circuits (maximum)	24
Color - Resin	Black
Durability (mating cycles max)	30
Entry Angle	Vertical
Keying to Mating Part	Yes
Material - Metal	Copper Alloy
Material - Plating Mating	Gold
Material - Plating Termination	Gold
Material - Resin	High Temperature Thermoplastic
PCB Locator	No
PCB Retention	N/A
PCB Thickness Recommended (in)	0.020 In
PCB Thickness Recommended (mm)	0.50 mm
Packaging Type	Embossed Tape on Reel
Pitch - Mating Interface (in)	0.035 In
Pitch - Mating Interface (mm)	0.90 mm
Pitch - Term. Interface (in)	0.035 In
Pitch - Term. Interface (mm)	0.90 mm
Plating min: Mating (µin)	12
Plating min: Mating (µm)	0.3
Plating min: Termination (µin)	3
Plating min: Termination (µm)	0.075
Temperature Range - Operating	-55°C to +85°C
Termination Interface: Style	Surface Mount

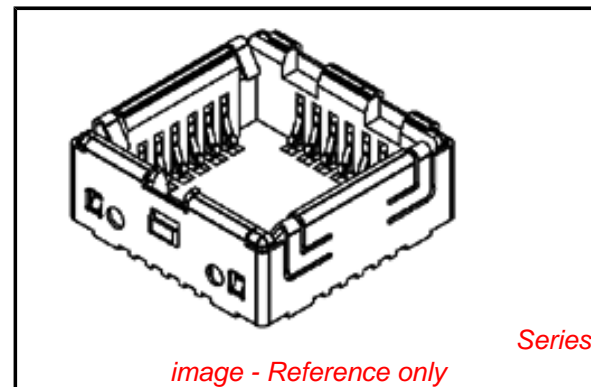
Electrical

Current - Maximum per Contact	0.5A
Voltage - Maximum	50V DC

Material Info

Reference - Drawing Numbers

Sales Drawing	SD-47337-200
---------------	--------------



EU RoHS

**ELV and RoHS
Compliant**
REACH SVHC
 Not Reviewed
**Halogen-Free
Status**

China RoHS



**Need more information on product
environmental compliance?**

Email productcompliance@molex.com
 For a multiple part number RoHS Certificate of
 Compliance, [click here](#)

Please visit the [Contact Us](#) section for any
 non-product compliance questions.

Search Parts in this Series

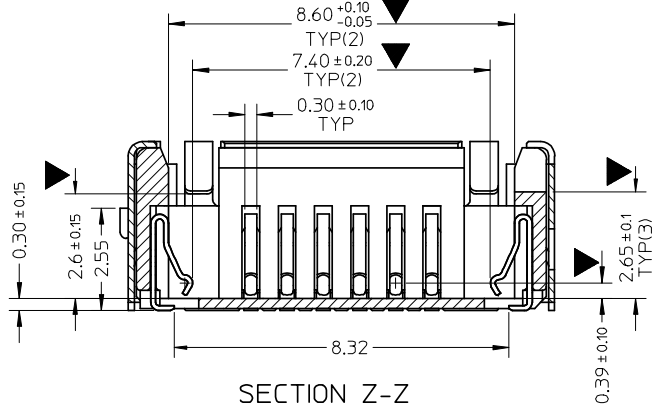
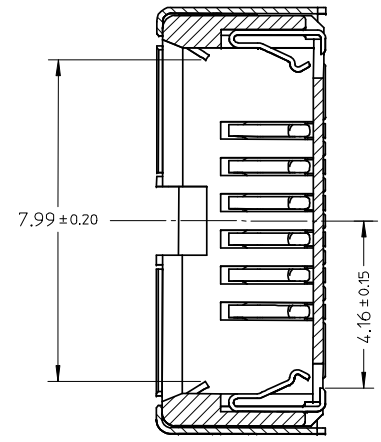
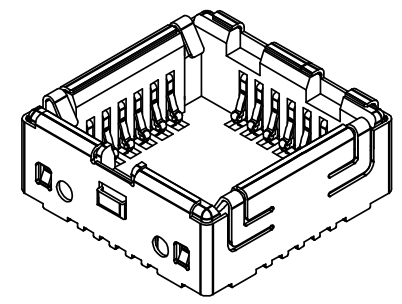
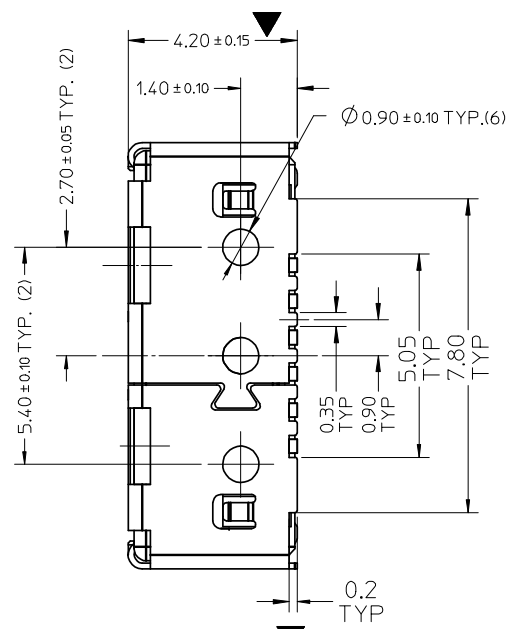
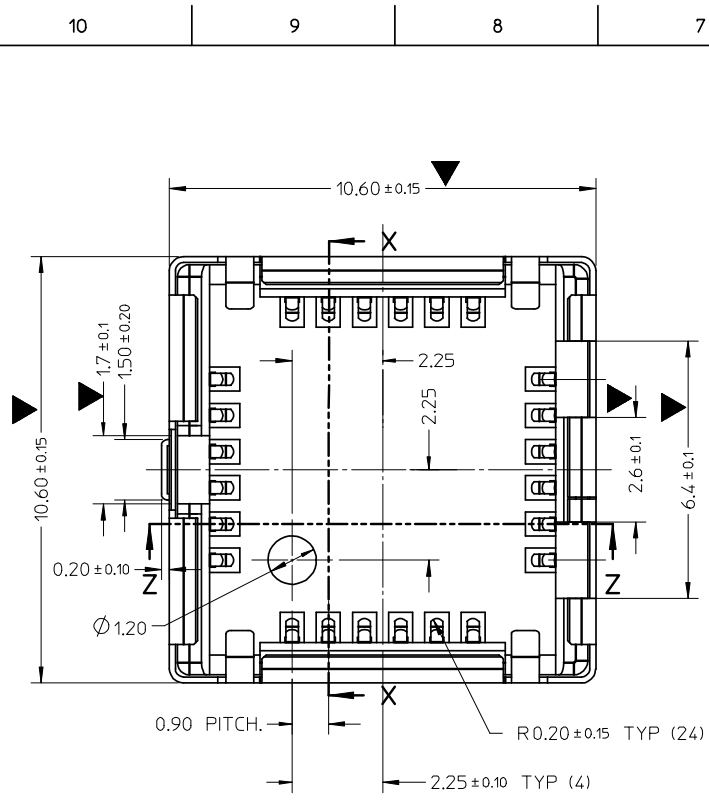
[47337Series](#)

Mates With

[Camera Module](#)

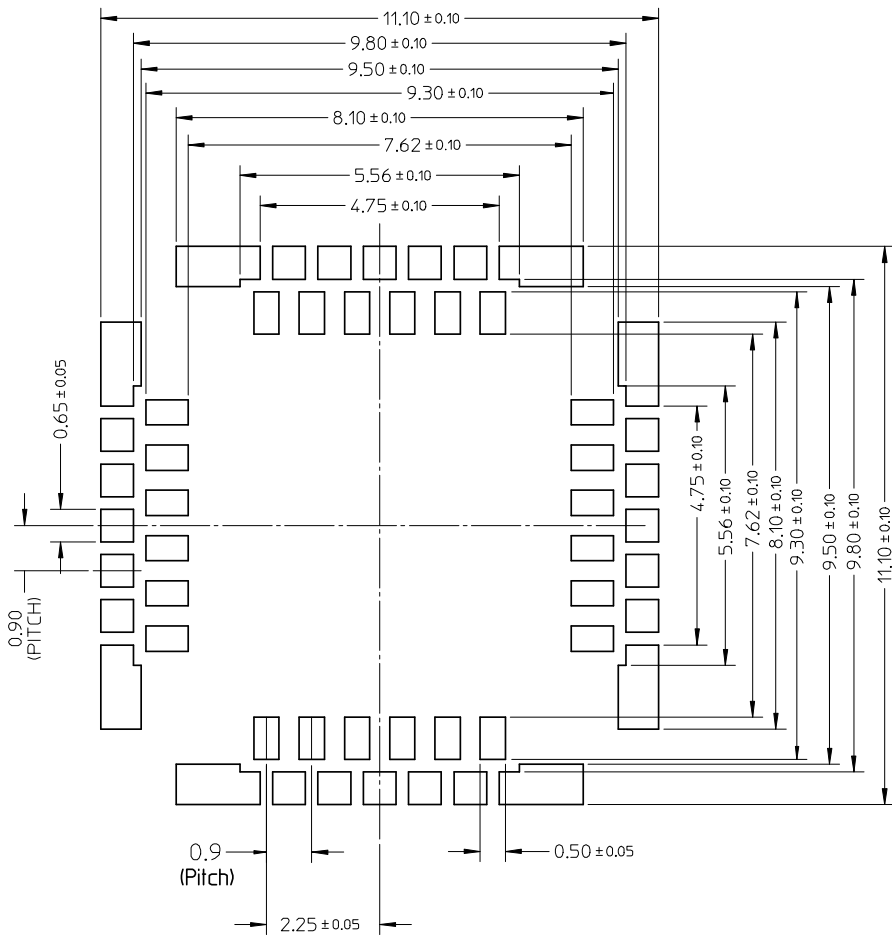
Use With

[47337-0005 Cap](#)



- NOTES:
- MATERIALS
HOUSING: LCP, BLACK, UL94 V-0
TERMINAL: COPPER ALLOY.
SHELL: COPPER ALLOY.
 - FINISH
TERMINAL: 2-4 MICROMETER NICKEL UNDERPLATING OVERALL,
GOLD PLATING 0.3 MICROMETER ON CONTACT AREA,
GOLD FLASH PLATING ON SOLDER AREA.
SHELL: 2-4 MICROMETER NICKEL UNDERPLATING OVERALL,
GOLD FLASH PLATING ON SOLDER AREA.
 - PRODUCT SPECIFICATION: PS-47337-001
 - PAKAGING: TAPE&REEL
 - COPLANALITY TO BE 0.10MM MAX.
 - APPLICABLE TOP COVER 473370005.
 - APPLICABLE CAMERA MODULE SEE SHEET 3.

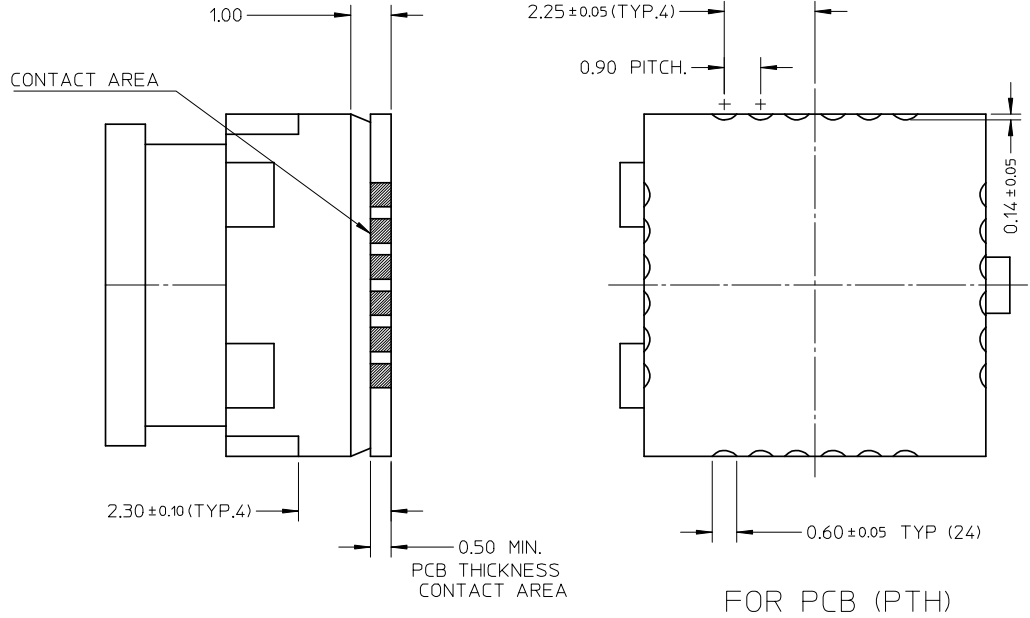
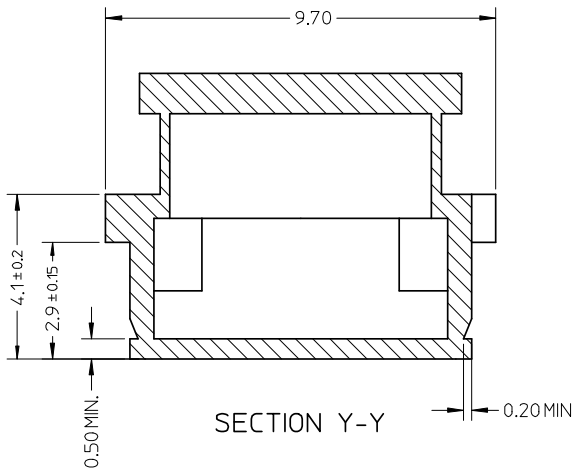
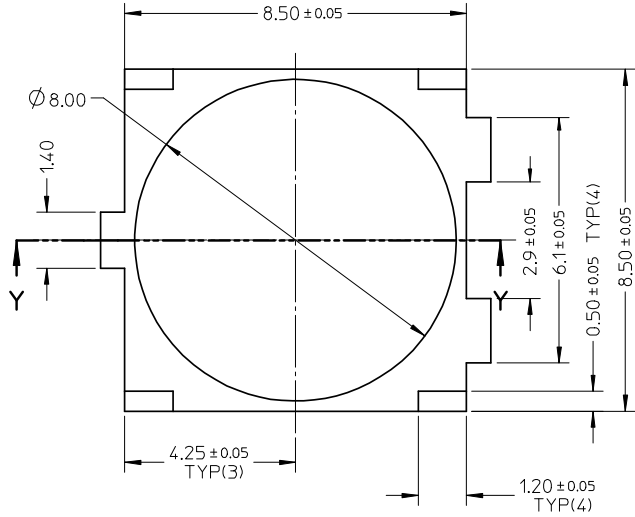
RELEASE EC NO: SH2008-0426 DRW:MSH CHKD:YLZHU APPR:HWANG	2008/02/28 2008/03/03 2008/03/13	QUALITY SYMBOLS ▽=12 ◻=0	GENERAL TOLERANCES (UNLESS SPECIFIED)		DIMENSION STYLE MM ONLY		SCALE 8:1	DESIGN UNITS METRIC	THIRD ANGLE PROJECTION		
				mm	INCH	DRAWN BY IVAN HE	DATE 2007/12/03	TITLE 8.5*8.5 CAMERA SOCKET SMT.SIDE CONTACT TYPE TOP MOUNT			
			4 PLACES	± ---	± ---	CHECKED BY YLZHU	DATE 2008/2/28	MOLEX INCORPORATED			
			3 PLACES	± ---	± ---	APPROVED BY HWANG	DATE 2008/2/28				
2 PLACES	± 0.10	± ---	ANGULAR ± 3 °		MATERIAL NO. 473370200	DOCUMENT NO. SD-47337-200	SHEET NO. 1 OF 3	THIS DRAWING CONTAINS INFORMATION THAT IS PROPRIETARY TO MOLEX INCORPORATED AND SHOULD NOT BE USED WITHOUT WRITTEN PERMISSION			
DRAFT WHERE APPLICABLE MUST REMAIN WITHIN DIMENSIONS			SIZE A3								



RECOMMENDED PCB LAYOUT

RELEASE EC NO: SHZ008-0426 DRW:MSH 2008/02/28 CHKD:YLZHU 2008/03/03 APPR:HWANG 2008/03/13	QUALITY SYMBOLS ▽=0 C=0	GENERAL TOLERANCES (UNLESS SPECIFIED)		DIMENSION STYLE MM ONLY	SCALE 10:1	DESIGN UNITS METRIC	THIRD ANGLE PROJECTION	
			mm	INCH	DRAWN BY IVAN HE	DATE 2007/12/03	TITLE 8.5*8.5 CAMERA SOCKET	
		4 PLACES ± --- ± --- 3 PLACES ± --- ± --- 2 PLACES ± 0.10 ± --- 1 PLACE ± 0.15 ± ---			CHECKED BY YLZHU	DATE 2008/2/28	SMT.SIDE CONTACT TYPE SMT.SIDE MOUNT TYPE	
		ANGULAR ± 3		APPROVED BY HWANG	DATE 2008/2/28	MOLEX INCORPORATED		
DRAFT WHERE APPLICABLE MUST REMAIN WITHIN DIMENSIONS	MATERIAL NO. 473370200	DOCUMENT NO. SD-47337-200	SHEET NO. 2 OF 3		THIS DRAWING CONTAINS INFORMATION THAT IS PROPRIETARY TO MOLEX INCORPORATED AND SHOULD NOT BE USED WITHOUT WRITTEN PERMISSION			

APPLIED CAMERA MODULE



FOR PCB (PTH)

RELEASE EC NO: SHZ008-0426 DRW:MSH CHKD:YLZHU APPR:HWANG	2008/02/28 2008/03/03 2008/03/13	DESCRIPTION REV	QUALITY SYMBOLS	GENERAL TOLERANCES (UNLESS SPECIFIED)	DIMENSION STYLE	SCALE	DESIGN UNITS	THIRD ANGLE PROJECTION
			▼=0 □=0	mm INCH	MM ONLY	8:1	METRIC	☉ □ THIRD ANGLE PROJECTION
			4 PLACES ± --- ± --- 3 PLACES ± --- ± --- 2 PLACES ± 0.10 ± --- 1 PLACE ± 0.15 ± ---	DRAWN BY IVAN HE DATE 2007/12/03	CHECKED BY YLZHU DATE 2008/2/28	TITLE 8.5*8.5 CAMERA SOCKET SMT SIDE CONTACT TYPE SMT SIDE CONTACT TYPE		
			ANGULAR ± 3 °	APPROVED BY HWANG DATE 2008/2/28	MATERIAL NO. 473370200	DOCUMENT NO. SD-47337-200	SHEET NO. 3 OF 3	
DRAFT WHERE APPLICABLE MUST REMAIN WITHIN DIMENSIONS				SIZE A3	THIS DRAWING CONTAINS INFORMATION THAT IS PROPRIETARY TO MOLEX INCORPORATED AND SHOULD NOT BE USED WITHOUT WRITTEN PERMISSION			